



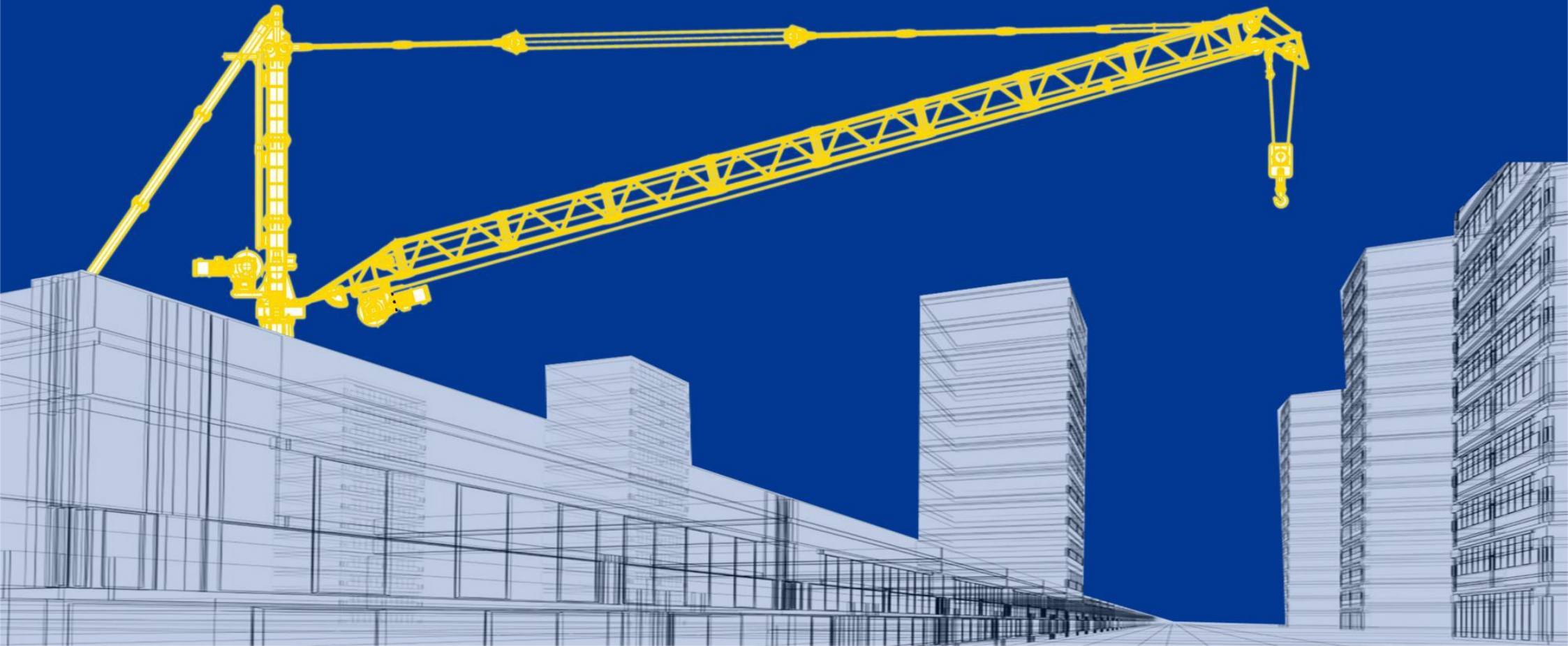
# Hunan Kamuja Machinery & Equipment Co.,Ltd



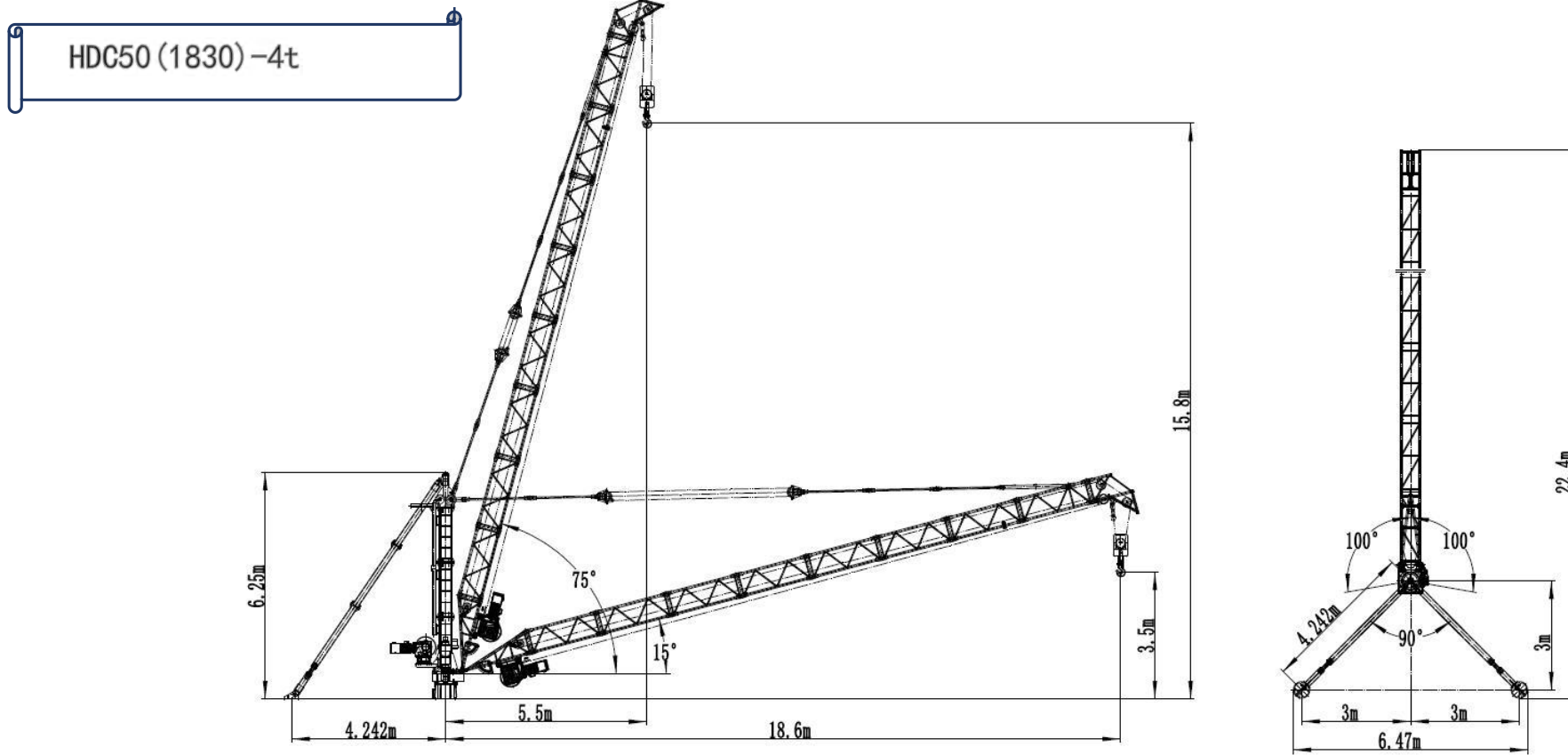
A Certificated Company  
of GB/T 19001-2016/  
ISO 9001:2015

## HDC Series

## DERRICK CRANE



Layout Diagram of the Complete Machine



Load Diagram

Radium (m)	5.5	6	9	10	12	14.2	15	18.6
Angle(°)	75	72.2	61.9	58.3	50.5	40.8	36.8	15
Height (m)	15.8	15.5	14.3	13.6	12.0	9.8	8.7	3.5
Load (t)/a2	4.0						3.74	3.0
Note : H—Height between the hook to the ground								

Mechanisms

Name	Speed ( m/min )		Load ( t )	Rope capacity	Power ( kW )
Lifting Mechanism	a=2	0 ~ 9	4	430 6 layers	7.5
Trolleting Mechanism	1.8min				7.5
Slewing Mechanism	0.6r/min				4
Power	380V/50Hz		Total(kW)		19

\*Actual unit may vary from the specification as shown

■ Packing List

Description	Sketch	L ( m )	B ( m )	H ( m )	Weight per Piece ( t )	Qty	Description	Sketch	L ( m )	B ( m )	H ( m )	Weight per Piece ( t )	Qty
Tower Base ( incl.gear )		0.67	0.62	0.4	0.22	1	Strut 1850		1.95	0.06	0.1	0.03	5
Superior connexion		0.87	0.86	0.34	0.25	1	Strut 1800		1.9	0.12	0.11	0.04	1
Column I		1.55	0.58	0.7	0.3	1	Rear Strut 690		0.76	0.16	0.19	0.04	1×2
Column II		1.5	0.67	0.5	0.24	2	Back Strut 2032		2.032	0.28	0.28	0.1	1×2
Peak of column		0.98	0.48	0.6	0.25	1	Back Strut 2024		2.024	0.28	0.28	0.1	1×2
Jib 1		2.1	0.56	0.7	0.13	1	Top Strut 2118		2.118	0.28	0.28	0.12	1×2
Jib 2-9		2.1	0.56	0.7	0.08	8	Lifting Mechanism		1.35	1.5	0.7	0.70	1
Tip of Jib		1.2	0.56	1.28	0.1	1	Strut Mechanism		1.26	0.9	0.65	0.46	1
Slewing Mechanism		1.3	0.3	0.5	0.25	1							

Add. Qingzhu Hu Road N.18, Logistic Center Floor 4 Room 818, Jinxia Economic Development Zone, Changsha City, Hunan Province,

P.R of China Telephone:+86-18692231190 Mail: alvaro.jin@kamuja.cn

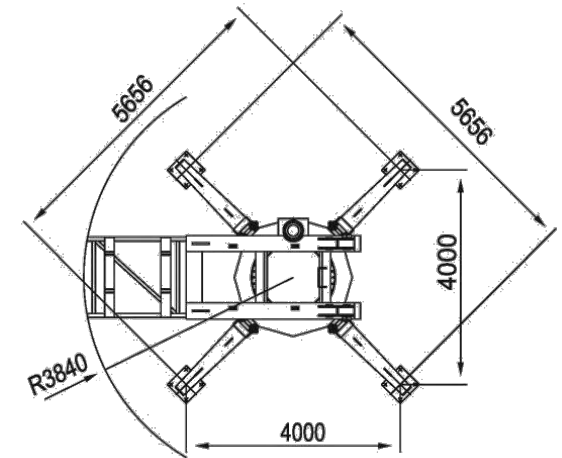
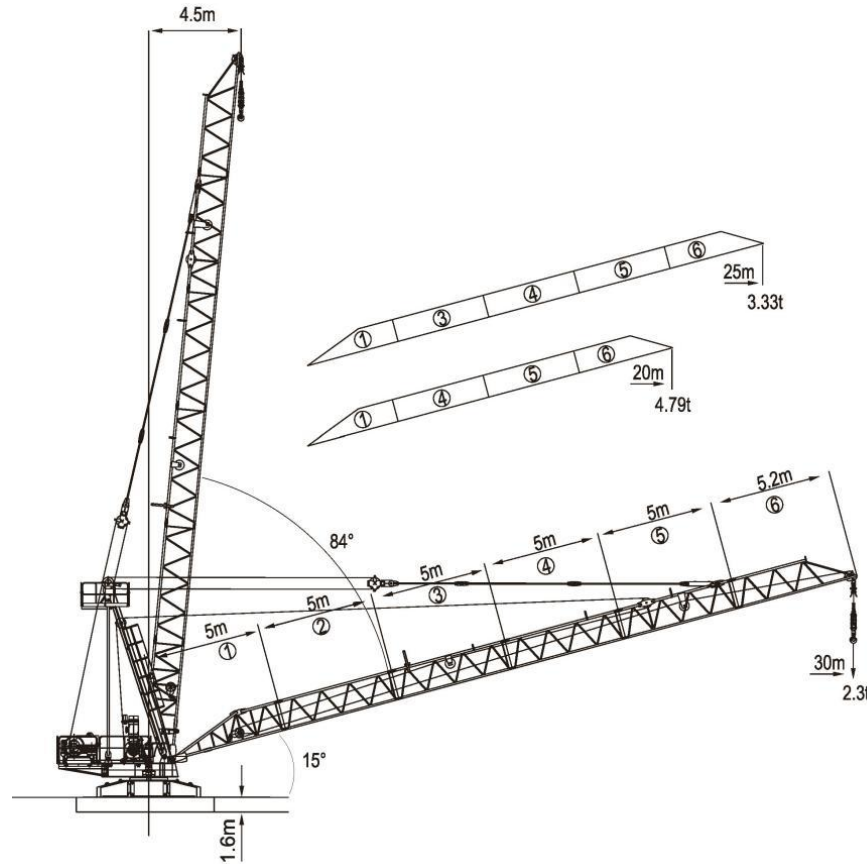
A Certificated Company of GB/T 19001-2016/ ISO 9001:2015



web site : <http://www.kamuja.cn>

Layout Diagram of the Complete Machine

HDC63 (3023) -10t



Load Diagram

Radium (m)		4.5 ~ 10.65	12	15	20	23	25	28	30
Load(t)	a4	10	8.38	6.26	4.13	3.3	2.85	2.31	2
	a2	5			4.43	3.6	3.15	2.61	2.3
Note : H—Height between the hook to the ground									

Mechanisms

Name	Speed ( m/min )	Load ( t )	Rope capacity	Power ( kW )
Lifting Mechanism	0 ~ 90	10	600	45
Trolleting Mechanism	≤ 3min			24
Slewing Mechanism	0 ~ 0.7r/min			7.5
Power	380V/50Hz	Total (kW)		78

\* Actual unit may vary from the specification as shown

■ Packing List

Description	Sketch	L ( m )	B ( m )	H ( m )	Weight per Piece ( t )	Qty	Description	Sketch	L ( m )	B ( m )	H ( m )	Weight per Piece ( t )	Qty
Slewing table		5.17	3.57	1.77	2.76	1	Jib-Section IV		5.14	1.34	1.36	0.46	1
Tower head		7.87	2.07	4.18	2.54	1	Jib-Section V		5.26	1.34	1.71	0.45	1
Jib-Section I		5.18	1.39	1.43	0.61	1	Outrigger		6.08	6.08	0.73	3.87	1
Jib-Section II		5.1	1.34	1.37	0.46	1							
Jib-Section III		5.1	1.34	1.3	0.35	1							
							Hook		1.14	0.24	1.72	0.32	1

Add. Qingzhu Hu Road N.18, Logistic Center Floor 4 Room 818, Jinxia Economic Development Zone, Changsha City, Hunan Province,

P.R of China Telephone:+86-18692231190 Mail: alvaro.jin@kamuja.cn

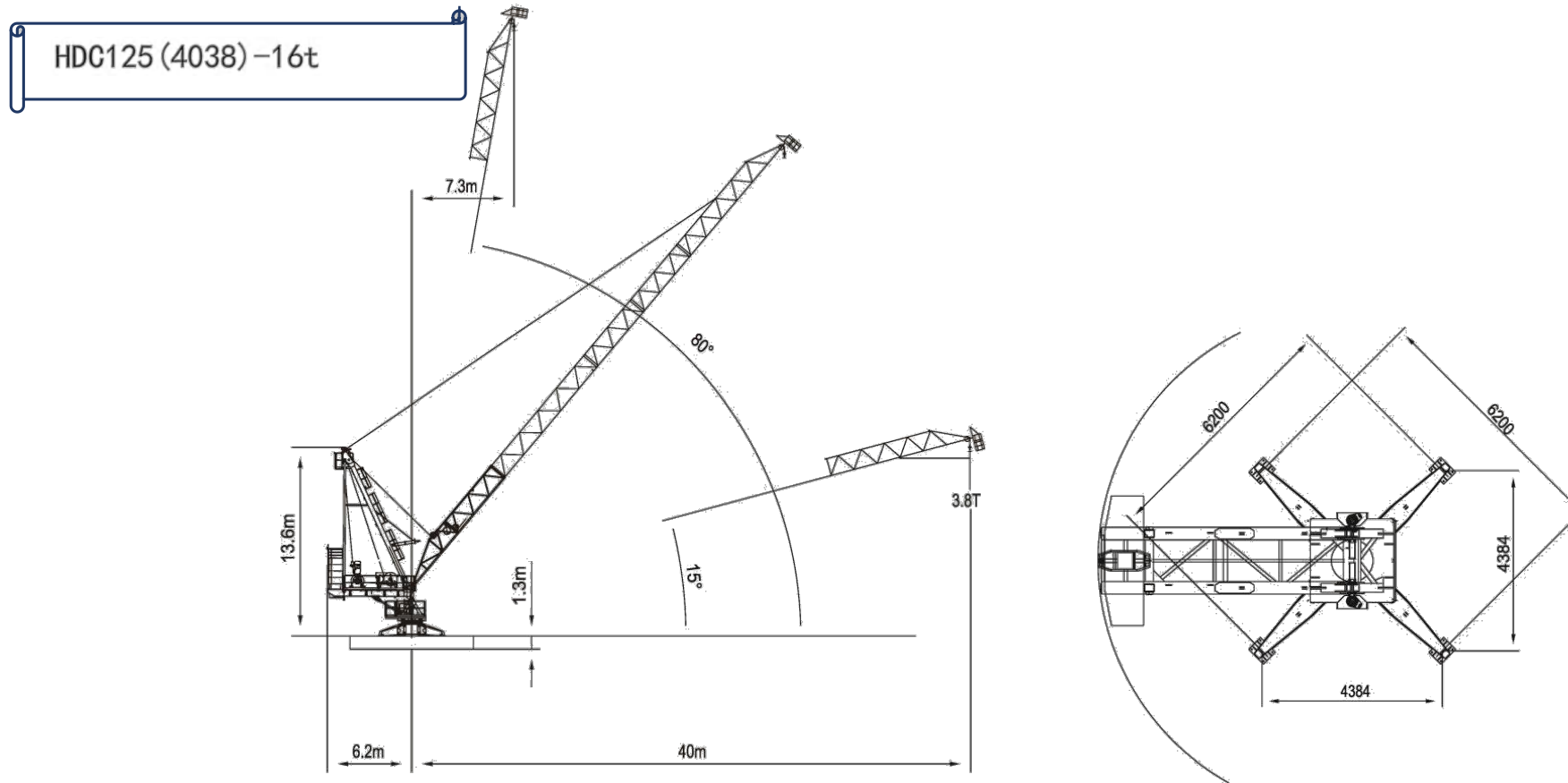
A Certificated Company of GB/T 19001-2016/ ISO 9001:2015



web site : <http://www.kamuja.cn>



Layout Diagram of the Complete Machine



Load Diagram

Radium (m)		7.3 ~ 14.26	15	18.04	20	25	30	35	40
Load(t)	a4	16	15.09	11.8	10.38	7.6	5.74	4.41	3.4
	a2	8					6.14	4.81	3.8

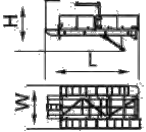
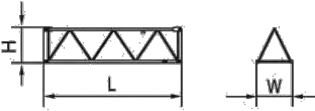
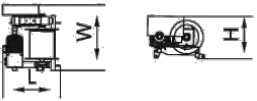
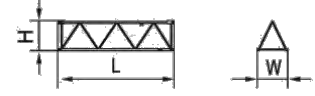
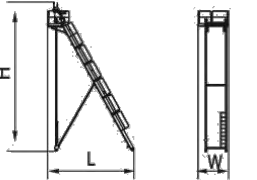
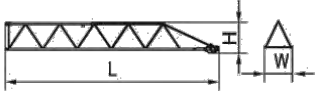
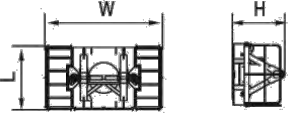
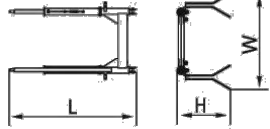
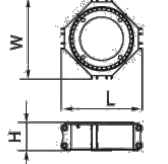
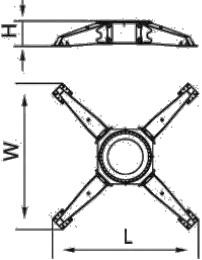
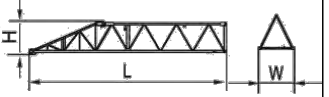
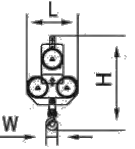
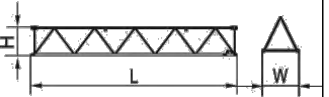
Note : H—Height between the hook to the ground

Mechanisms

Description	Speed ( m/min )	Load ( t )	Rope capacity	Power ( kW )
Lifting Mechanism	0 ~ 90	16	650	75
Trolleying Mechanism	≤ 3min			30
Slewing Mechanism	0 ~ 0.7r/min			2×4.5
Power	380V/50Hz	Total(kW)		114

\* Actual unit may vary from the specification as shown

■ Packing List

Description	Sketch	L ( m )	B ( m )	H ( m )	Weight per Piece ( t )	Qty	Description	Sketch	L ( m )	B ( m )	H ( m )	Weight per Piece ( t )	Qty
Counter-jib		6.22	4.33	5.24	4.47	1	Jib-Section III		5.34	1.4	1.38	0.52	1
Hoist Mechanism		1.95	2.14	1.04	1.2	1	Jib-Section IV		5.34	1.4	1.38	0.52	1
Tower head		4.79	2.16	10.57	3.066	1	Jib-Section V		10.64	1.42	1.52	1.44	1
Upper Slewing		2.14	3.86	1.72	4.1	1	Buffer		2.11	2.36	1.47	0.48	1
Lower Slewing		2.3	2.3	0.81	3.15	1	Outrigger		5.1	5.1	0.87	6.24	1
Jib-Section I		10.53	1.43	1.46	1.86	1	Hook		1.2	0.28	2.25	0.45	1
Jib-Section II		10.5	1.4	1.38	0.99	1							

Add. Qingzhu Hu Road N.18, Logistic Center Floor 4 Room 818, Jinxia Economic Development Zone, Changsha City, Hunan Province,

P.R of China Telephone:+86-18692231190 Mail: alvaro.jin@kamuja.cn

A Certificated Company of GB/T 19001-2016/ ISO 9001:2015



web site : <http://www.kamuja.cn>